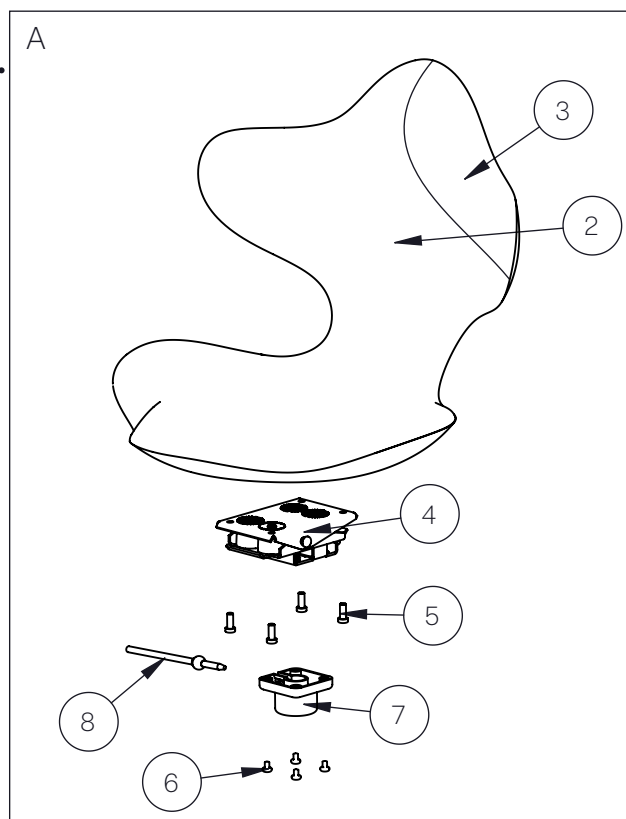


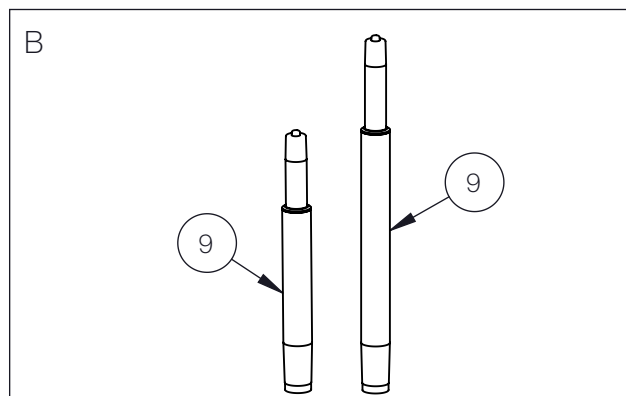
# Varier Active

1

A			
Item	Name	Qty.	Part#
1	Active Cushion Complete w/Mech*	1	003773
2	Active Cover	1	003772
3	Active Cushion w/o Cover	1	003771
4	Rubber Mechanism	1	003786
5	Low Head SKT Cap Screw DIN 7984 M8x20mm	4	003784
6	Pan Screw DIN 7985 4,8 EZ M6x12mm	4	003783
7	Move seat Bracket Polished Alu.	1	003787
8	Release Lever Chrome	1	003536

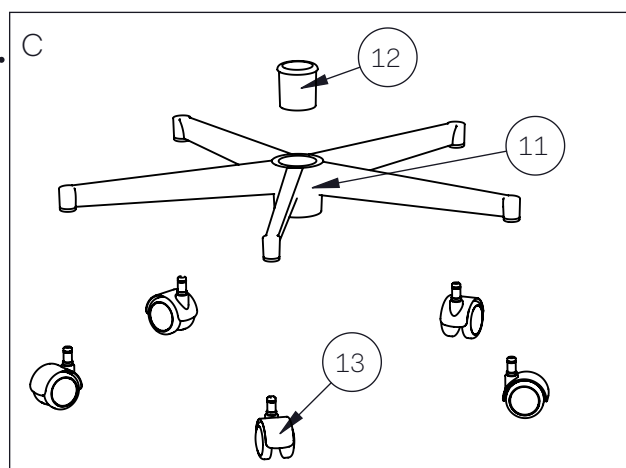


B			
Item	Name	Qty.	Part#
9	Gaslift Standard Chrome	1	003791
9	Gaslift High Chrome	1	003792



10

C			
Item	Name	Qty.	Part#
10	Active Base Complete*	1	003790
11	Active Metalcross Polished Aluminium	1	003789
12	Wing Reduce Bush for Base	1	003646
13	Active Wheels Soft, Brake When Unloaded	5	003795
13	Active Wheels Soft, Brake When Loaded	5	003788
13	Active Wheels Soft, Free Rolling	5	003799



\*=Config.